

IF IN DOUBT ASK  
DO NOT SCALE

A

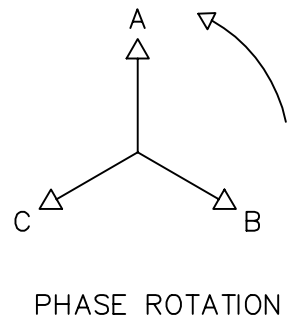
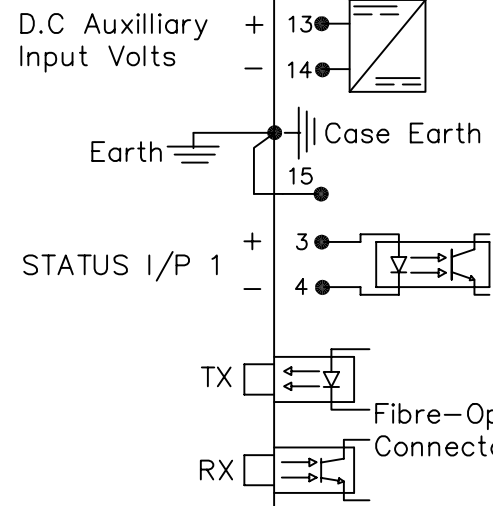
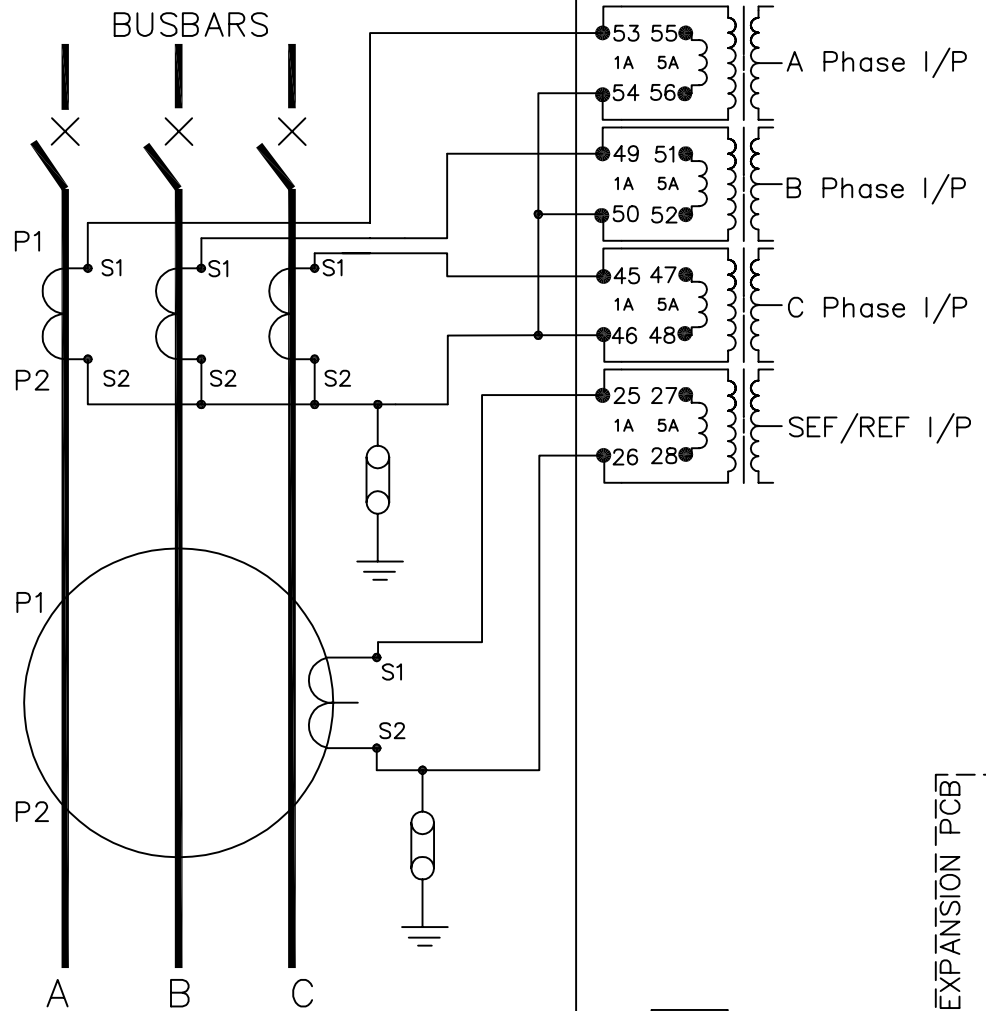
B

C

D

E

F



MATERIAL:

Dimensions in millimetres : Surface texture in micrometres.  
Machine where marked ✓  
For explanation of dimensions, tolerances, notes etc. see B.S.308.  
Limit on untoleranced unmachined dimensions ± \_\_\_\_\_  
Limits on untoleranced machined dimensions to B.S.4500;  
i.e. up to 6±0.1; over 30 to 120±0.3; over 315±0.8;  
over 6 to 30±0.2; over 120 to 315±0.5;  
General unmachined angular tolerance ± \_\_\_\_\_

Finish: \_\_\_\_\_  
Treatment: \_\_\_\_\_

Title:  
TYPICAL SCHEMATIC DIAGRAM FOR 3 PHASE + SEF/REF  
NUMERIC OVERCURRENT PROTECTION (ARGUS 1) EPSILON

**Reyrolle Protection  
Hebburn.**

Original Scale:  
NTS

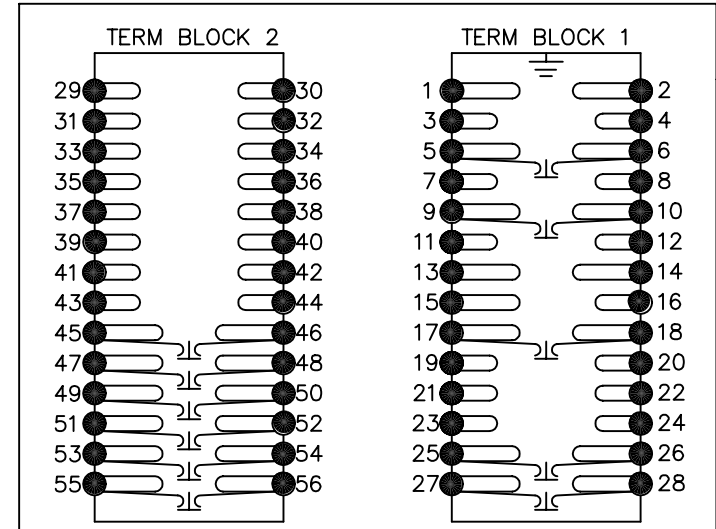
First used on:  
Similar Articles: 2434W10015  
Supersedes:  
Drg. No.  
**2434W10059**

DRAWN M LEASK    CHECKED \_\_\_\_\_    APPROVED R.D.WATSON    DATE 23/07/02    IE \_\_\_\_\_    OPS \_\_\_\_\_    PCP \_\_\_\_\_    Purch.Spec. TQ \_\_\_\_\_    EAC \_\_\_\_\_    CE \_\_\_\_\_    STD \_\_\_\_\_    A3

1      2      3      4      5      6      7      8

DCD42xB (ARGUS 1) MODULAR SIZE 6 CASE

TERMINAL BLOCKS VIEWED FROM REAR



KEY  
1 Short Terminals  
2 Long Terminals  
3 CT Shorting Links

NOTES

- 1 CT CIRCUITS ARE SHOWN CONNECTED TO RELAY 1 AMP TAP. USE ALTERNATIVE TAP FOR 5AMP RATED CTs.
- 2 CT & EARTH CONNECTIONS ARE TYPICAL ONLY.
- 3 METROSIL & SETTING RESISTORS ARE REQUIRED FOR HIGH IMPEDANCE & RESTRICTED EARTH FAULT APPLICATIONS.
- 4 FOR TERMINAL DIAGRAM SEE 2434W50001 (A2)
- 5 DRG SHOWS OPTION A (7 OUTPUTS, 1 INPUT)  
DRG SHOWS OPTION B (11 OUTPUTS, 5 INPUTS)

**NOT SUBJECT TO UPDATE  
ONCE COPIED / PRINTED  
OR DOWNLOADED**

Copyright © 1999 Reyrolle Ltd.

2	18/4/02	MN434/2292
1	22/11/99	CHANGE NOTED
ISSUE	DATE	NOTED